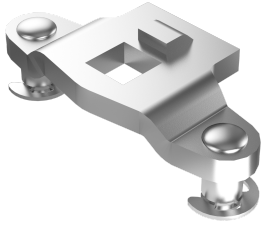


VISION TWO-POINT CAM SS 304



Two-point cam with projection for swing handles. Stroke: 20 mm. Supplied with E-clips.



MATERIAL

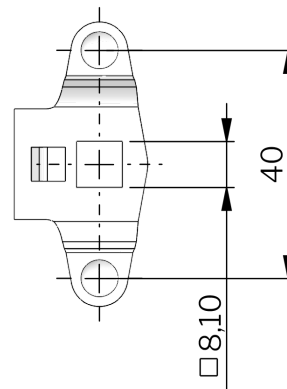
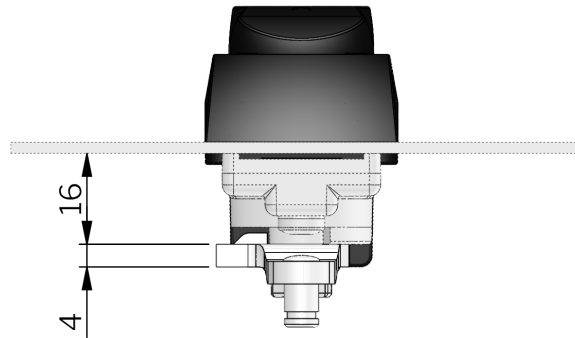
Cam: Stainless steel 304

RELATED PRODUCTS

Similar products: 1-008.51

Other materials: 1-008.51

Use the Index Code at industralas.com



P/N	Description	Material
2330S09-00MP	2-point cam	Stainless steel 304